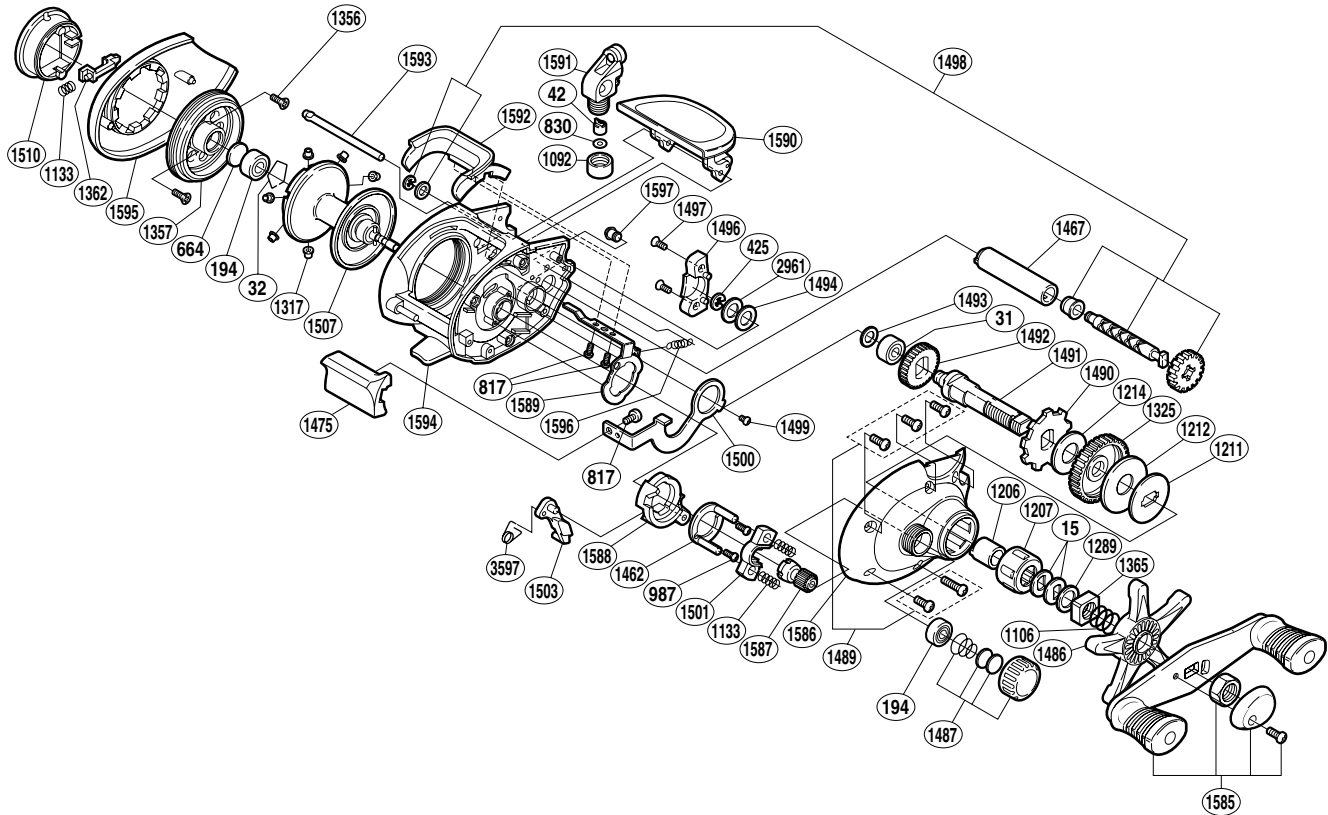


SHIMANO®

Castaic

CA-200



Part No.	Description	Part No.	Description	Part No.	Description
BNT0015	Drag Spring Washer	BNT1325	Drive Gear	BNT1500	Clutch Plate
BNT0031	Ball Bearing	BNT1356	Brake Case Retainer Screw	BNT1501	Yoke
BNT0032	Bearing Retainer	BNT1357	Brake Case	BNT1503	Clutch Pawl
BNT0042	Line Guide Pawl	BNT1362	Turnkey Pawl	BNT1507	Spool Assembly
BNT0194	Ball Bearing	BNT1365	Star Drag Nut	BNT1510	Turnkey Dial
BNT0425	"E" Lock	BNT1462	Clutch Cam Retainer	BNT1585	Handle Assembly
BNT0664	Spacer (B)	BNT1467	Level Wind Guard	BNT1586	Right Side Plate
BNT0817	Multi Purpose Screw	BNT1475	Disengage Clutch	BNT1587	Pinion Gear
BNT0830	Spacer (optional)	BNT1486	Star Drag	BNT1588	Clutch Cam
BNT0987	Clutch Cam Screw	BNT1487	Cast Control Cap Assembly	BNT1589	Clutch Plate (B)
BNT1092	Pawl Cap	BNT1489	Side Plate Screws	BNT1590	Thumb Rest
BNT1106	Star Drag Spring	BNT1490	Anti-Reverse Ratchet	BNT1591	Line Guide
BNT1133	Yoke / Turnkey Pawl Spring	BNT1491	Drive Shaft	BNT1592	Engage Clutch
BNT1206	Roller Clutch Inner Tube	BNT1492	Idle Gear	BNT1593	Thumb Rest Support
BNT1207	Roller Clutch Bearing	BNT1493	Drive Gear Washer	BNT1594	One-Piece Frame
BNT1211	Key Washer	BNT1494	Drive Shaft Washer (B)	BNT1595	Left Side Plate
BNT1212	Drag Washer (C)	BNT1496	Drive Shaft Cover	BNT1596	Retractor Spring
BNT1214	Drag Washer (A)	BNT1497	Drive Shaft Cover Screw	BNT1597	Retractor Spring Pin
BNT1289	Star Drag Spacer	BNT1498	Worm Shaft Assembly	BNT2961	Drive Shaft Washer
BNT1317	Brake Collars (red-6 pieces)	BNT1499	Clutch Plate Screw	BNT3597	Clutch Pawl Spring